

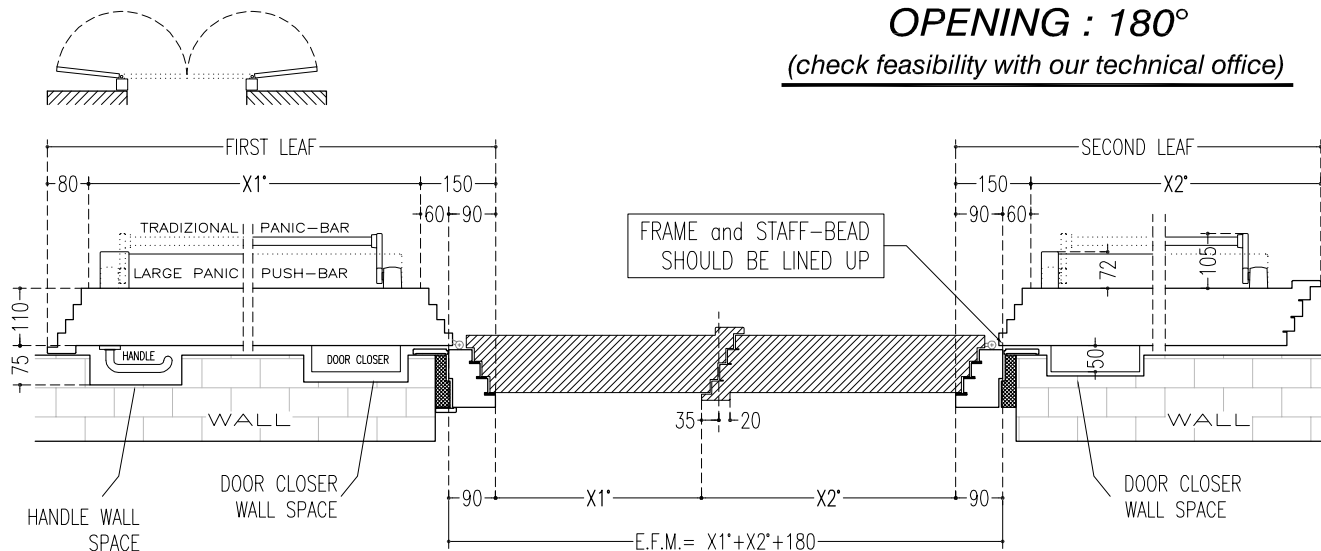


**FOOTPRINT LEAF and EXTERNAL FRAME DIMENSIONS**

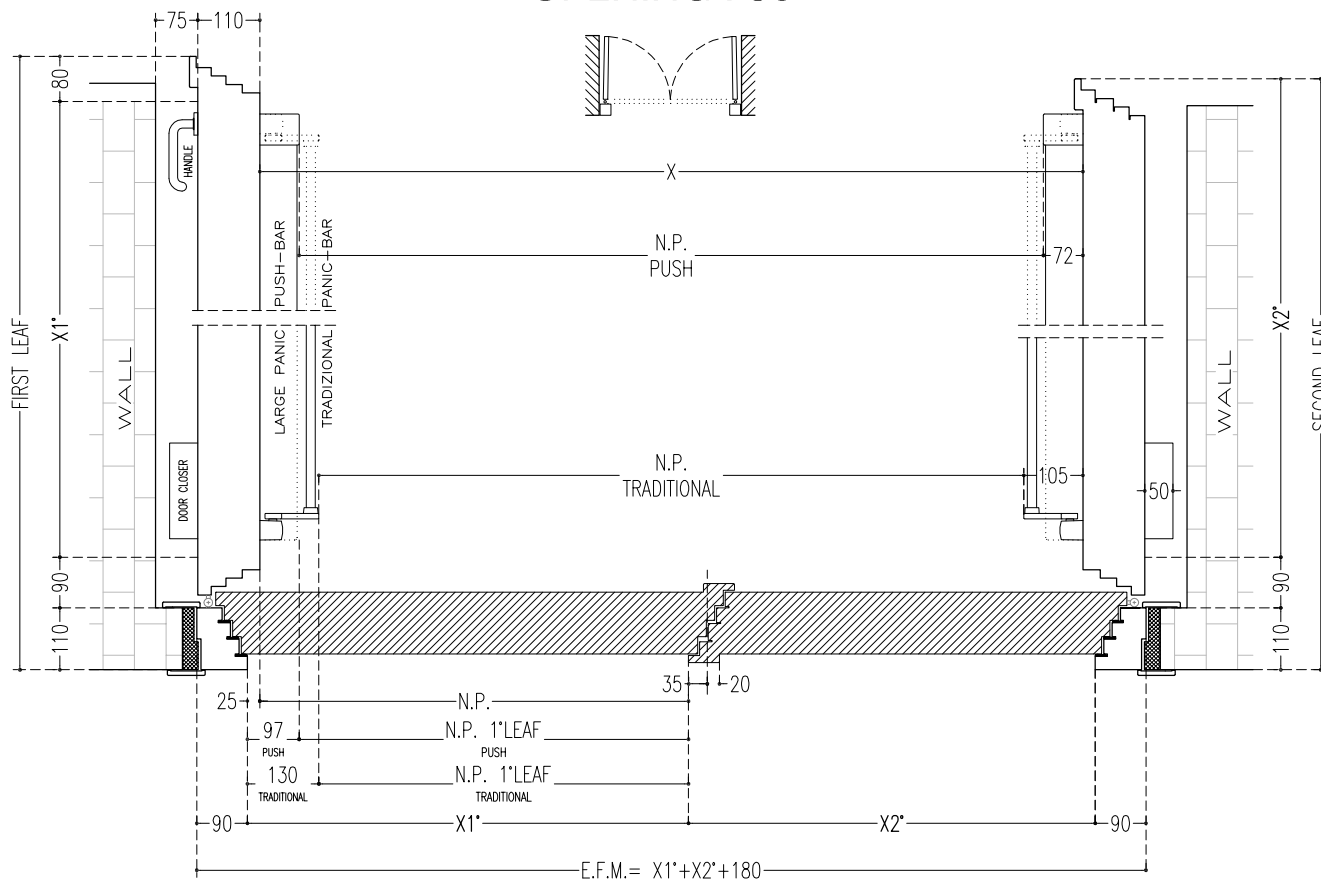
	OPENING FIRST LEAF	OPENING SECOND LEAF	EXTERNAL FRAME DIM. WITH PUSH BAR	EXTERNAL FRAME DIM. WITH TRADIZIONAL PANIC-BAR	EXTERNAL FRAME DIM. WITHOUT PANIC-BAR
OPENING : 180° 	(X1+230)	(X2+150)	(X1+X2)+180	(X1+X2)+180	(X1+X2)+180
OPENING : 90° 	(X1+280)	(X2+200)	(LNP <sub>push</sub> +374)	(NP <sub>traditional</sub> +440)	(X+230)

X1 = N.P. 1°leaf

**OPENING : 180°**  
*(check feasibility with our technical office)*



**OPENING : 90°**



SEBINO CHIUSURE Srl  
I - 24020 Scanzorosclate (BG)  
Via XXV Aprile, 21  
Tel. 035.24.27.10  
Fax 035.24.47.37  
www.sebinochiusure.it  
Info@sebinochiusure.it

**SOUND PROOF 46 DB DOOR**  
**NOT FIRE PROOF**  
- TWO LEAVES DOOR -  
**FOOTPRINT LEAF & EXTERNAL FRAME DIMENSIONS**

SEPTEMBER 2009

**E12**