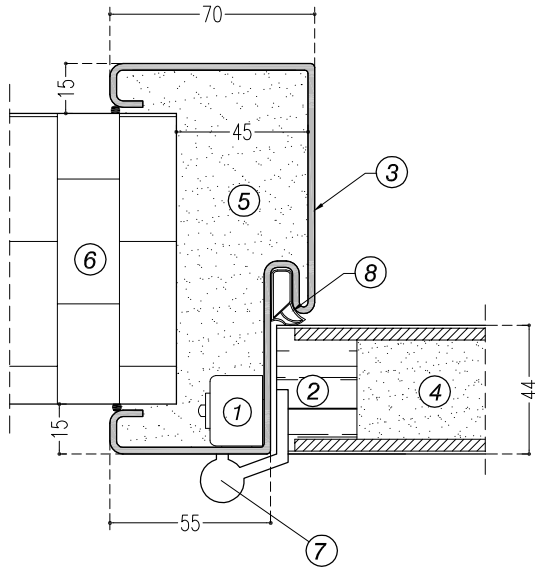


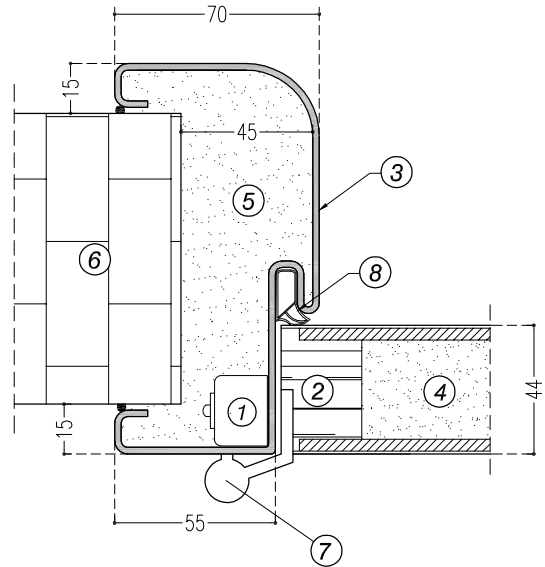
Net passage light is measured
between the angles of the frame

LEGEND

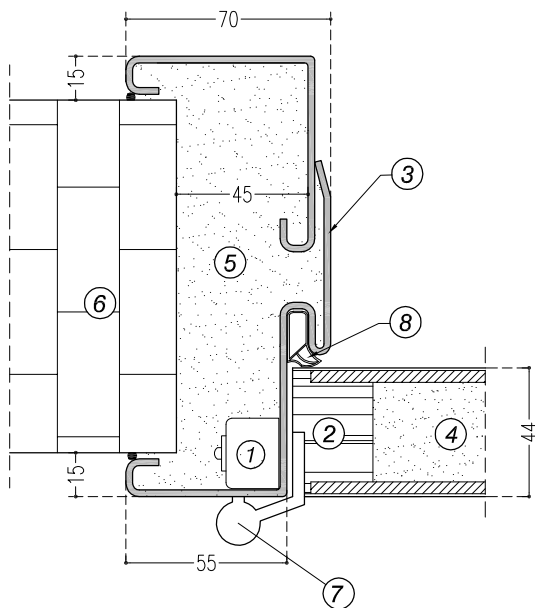
- ① Hinge insertion
- ② Solid wood
- ③ Steel frame
- ④ Leaf
- ⑤ Hollow
- ⑥ Wall / Stud wall
- ⑦ Hinge
- ⑧ Anti-noise seal for cold smokes



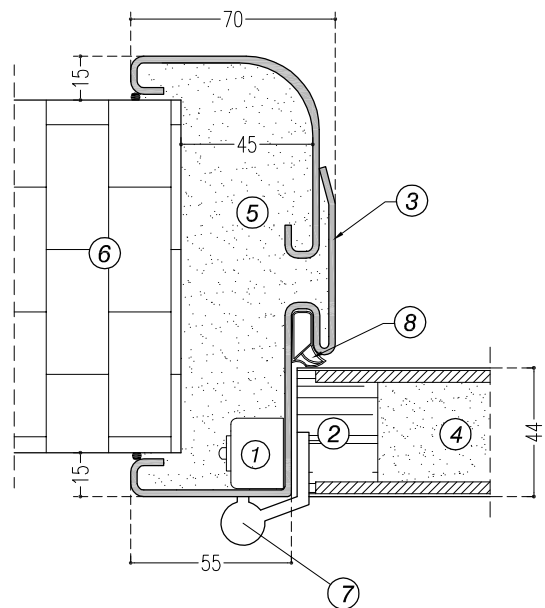
A STEEL FIXED FRAME with
RIGHT ANGLE - MODEL SPN



B STEEL FIXED FRAME with
ROUNDED PROFILE - MODEL SPS



C STEEL TELESCOPIC FRAME with
RIGHT ANGLE - MODEL TLN



D STEEL TELESCOPIC FRAME with
ROUNDED PROFILE - MODEL TLS



SEBINO CHIUSURE Srl
I - 24020 Scanzorosclate (BG)
Via XXV Aprile, 21
Tel. 035.24.27.10
Fax 035.24.47.37
www.sebinochiusure.it
Info@sebinochiusure.it

NOT FIRE PROOF WOODEN DOOR
with STEEL FRAME

FRAME-LEAF DETAIL - FLUSH DOOR

SEPTEMBER 2009

H2